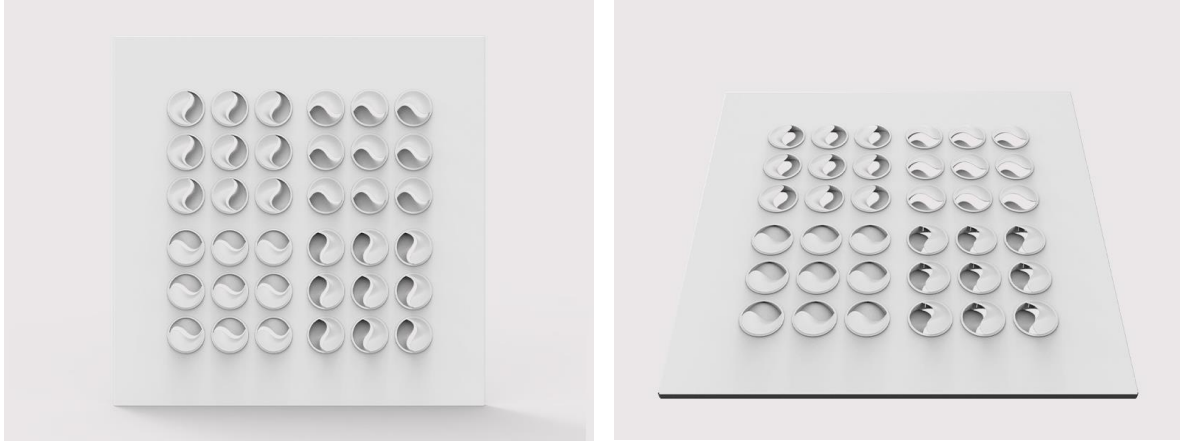


NOZZLE DIFFUSERS- SUPPLY DIFFUSERS-CKD-04



NOZZLE DIFUSERS- CKD-04

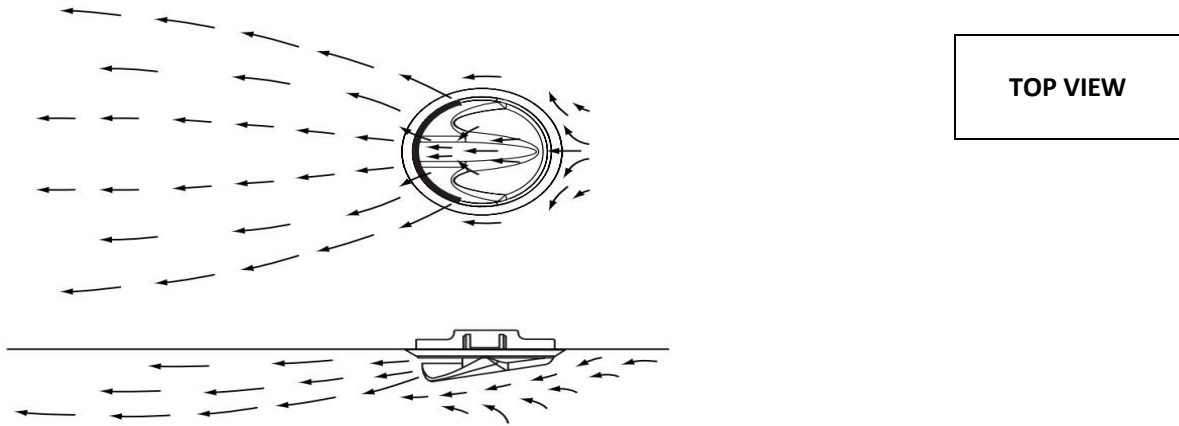
USAGE AREA AND FEATURES: It is used as blowing diffusers in Hvac systems. It is suitable for vertical shooting. The ideal shooting distance is between 2.5-3.5 m. It is used in ceiling applications. It is standard screw mounted. The way of mounting can be changed optionally.

MATERIAL: The product can be produced in any color with electrostatic powder paint. The wings are manufactured in standard 9010 color.

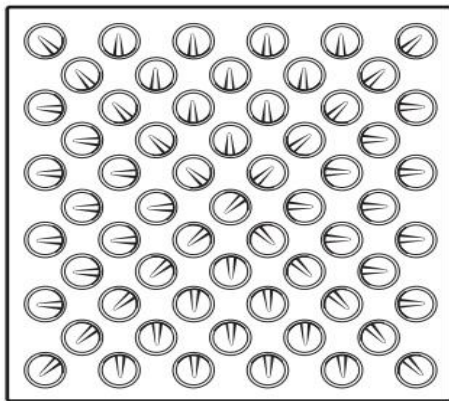
SURFACE COATING: The product can be manufactured in any color with electrostatic powder paint. The wings are manufactured in standard 9010 color.

ACCESSORIES: Plenum box

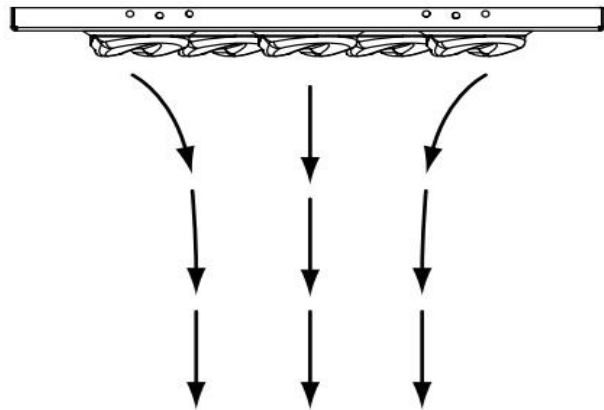
AIR FLOW MOVEMENTS



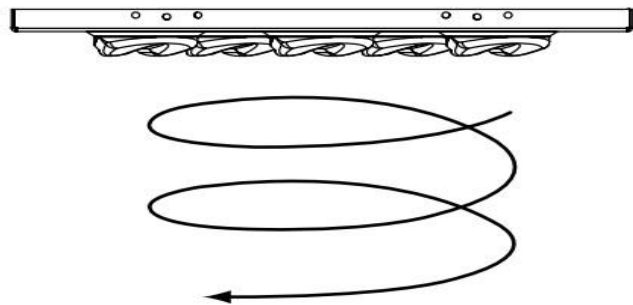
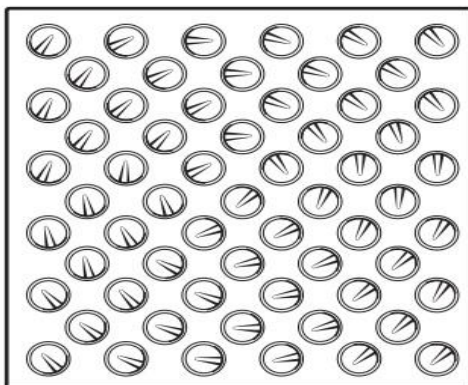
BY NOZZLE DIFFUSER LAYOUT
VERTICAL DOWN SHOOTING



SIDE VIEW

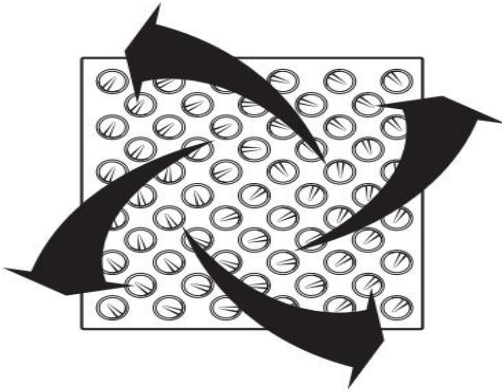


TURBULENT FLOW SEQUENCE:

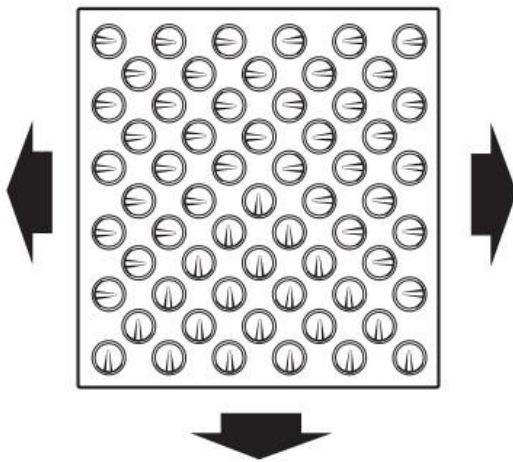


CKD04 NOZZLE DIFFUSER AIR MOVEMENT MODELS

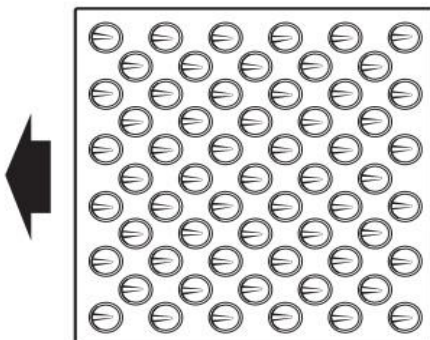
TURBULENT FLOW



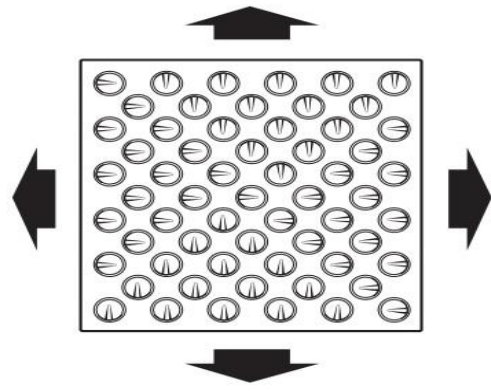
3 WAY



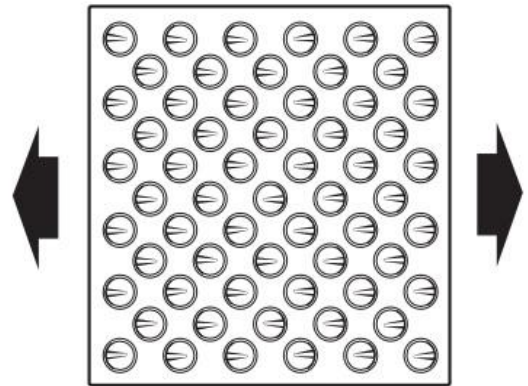
1 WAY



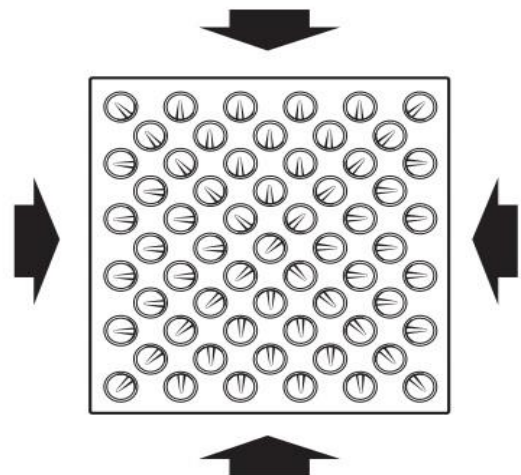
HORIZONTAL FLOW



2 WAY

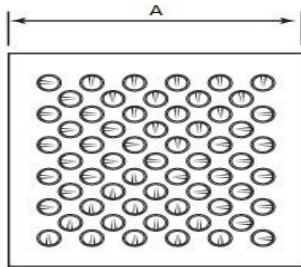
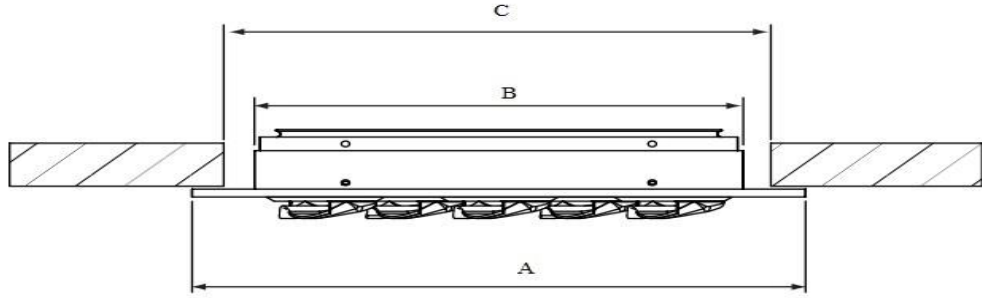


VERTICAL FLOW



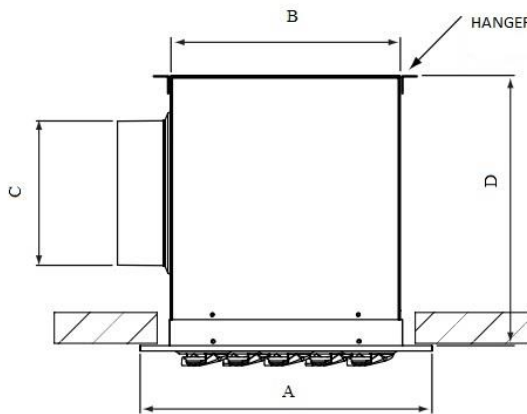
TECHNICAL MEASUREMENT

CKD04 A STANDARD SIZES

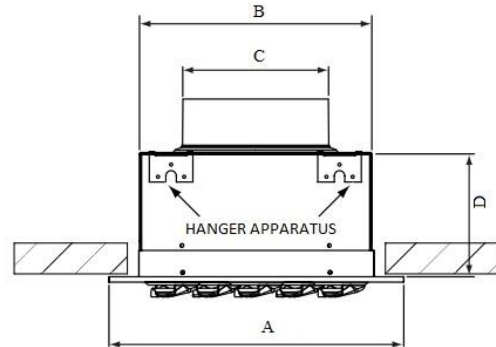


CKD04-A STANDARD DIMENSIONS			
MODEL	A	B	C
300	364	304	318
400	464	404	418
500	564	504	518
600	664	604	618

CKD04-A BOXED INSTALLATION

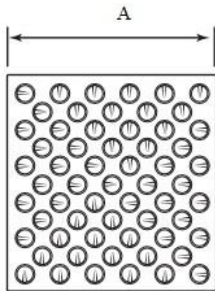
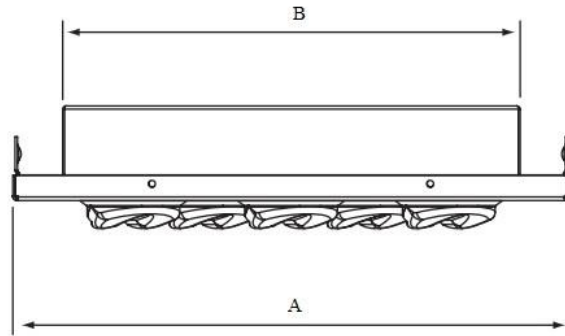


CKD04-A SIDE ENTRY BOX				
MODEL	A	B	C	D
300	364	299	200	300
400	464	399	250	350
500	564	499	315	415
600	664	599	350	450

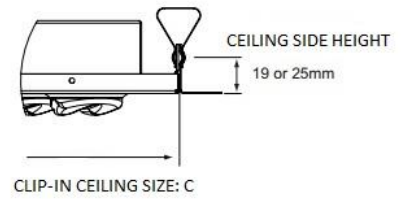


CKD04-A TOP INLET BOX				
MODEL	A	B	C	D
300	364	299	200	150
400	464	399	250	200
500	564	499	315	250
600	664	599	350	300

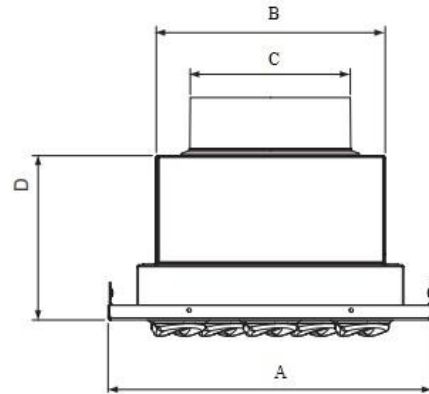
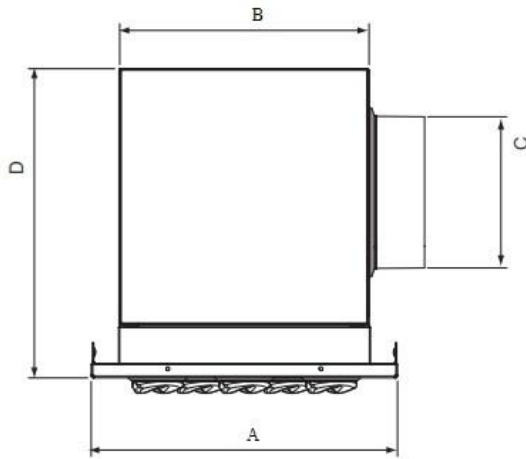
CKD04-B STANDAD SIZES



CKD04-B STANDARD DIMENSIONS			
MODEL	A	B	C
300	499	445	500
	599	545	600
400	499	445	500
	599	545	600
500	499	445	500
	599	545	600
600	599	545	600



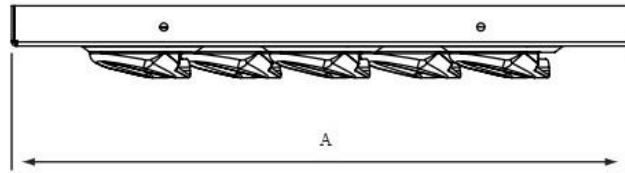
CKD04-B BOXED INSTALLATION



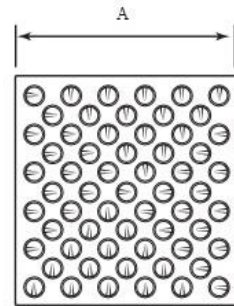
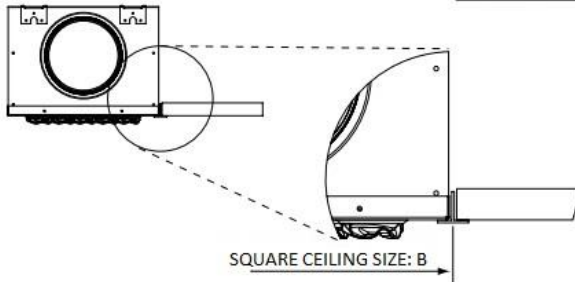
CKD04-B SIDE INLET BOX				
MODEL	A	B	C	D
300	499	445	200	300
	599	545		
400	499	445	250	350
	599	545		
500	499	445	315	415
	599	545		
600	599	545	350	450

CKD04-B TOP INLET BOX				
MODEL	A	B	C	D
300	499	445	200	150
	599	545		
400	499	445	250	200
	599	545		
500	499	445	315	250
	599	545		
600	599	545	350	300

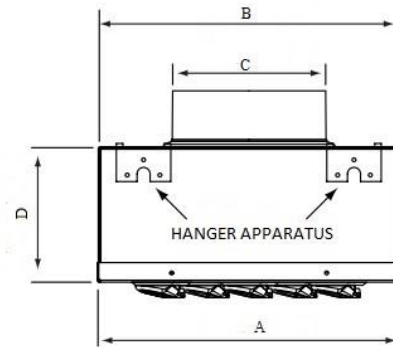
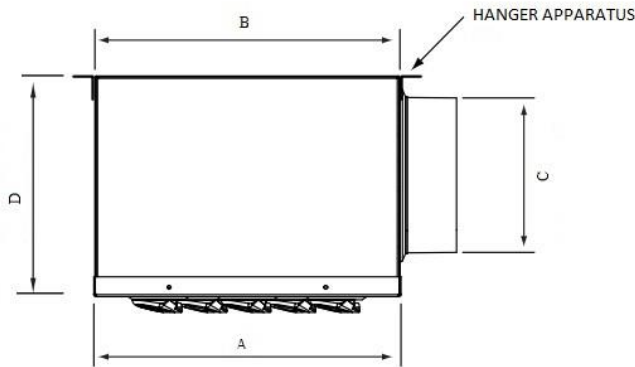
CKD04-C STANDARD SIZES



CKD04-C STANDARD DIMENSIONS		
MODEL	A	B
300	494	500
	594	600
400	494	500
	594	600
500	494	500
	594	600
600	594	600



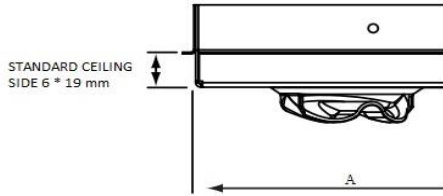
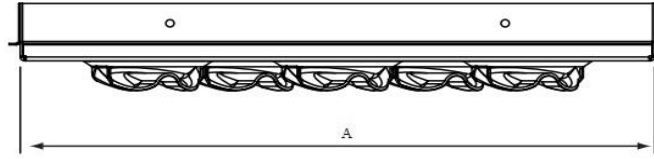
CKD04-C BOXED INSTALLATION



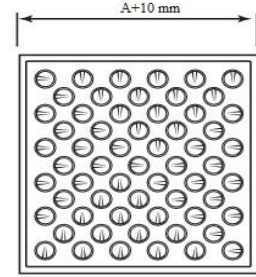
CKD04-C SIDE INLET BOX				
MODEL	A	B	C	D
300	494	492	200	300
	594	592		
400	494	492	250	350
	594	592		
500	494	492	315	415
	594	592		
600	594	592	350	450

CKD04-C TOP INLET BOX				
MODEL	A	B	C	D
300	494	492	200	150
	594	592		
400	494	492	250	200
	594	592		
500	494	492	315	250
	594	592		
600	594	592	350	300

CKD04-D STANDARD SIZES



CKD04-D STANDARD DIMENSIONS	
MODEL	A
300	474
	484
	574
	584
400	474
	484
	574
	584
500	474
	484
	574
	584
600	574
	584
	584



CKD04-D BOXED INSTALLATION

MODEL 300 HORIZONTAL SHOT

DEBİ (m3/h)	126	173	220	267	313	360
SES SEVİYESİ (dBa)	20	25	30	35	40	45
BASINÇ KAYBI (Pa)	7	14	22	35	43	60

MODEL 300 VERTICAL SHOOT

DEBİ (m3/h)	126	173	220	267	313	360
SES SEVİYESİ (dBa)	20	25	30	35	40	45
BASINÇ KAYBI (Pa)	7	14	22	35	43	60

MODEL 400 HORIZONTAL SHOT

DEBİ (m3/h)	180	270	360	450	540	630
SES SEVİYESİ (dBa)	20	25	30	35	40	45
BASINÇ KAYBI (Pa)	6	13	22	35	50	68

MODEL 400 VERTICAL SHOOT

DEBİ (m3/h)	180	270	360	450	540	630
SES SEVİYESİ (dBa)	20	25	30	35	40	45
BASINÇ KAYBI (Pa)	6	13	22	35	50	68

MODEL 500 HORIZONTAL SHOT

DEBİ (m3/h)	360	468	576	684	792	900
SES SEVİYESİ (dBa)	25	30	35	40	45	45
BASINÇ KAYBI (Pa)	10	17	26	37	49	63

MODEL 500 VERTICAL SHOOT

DEBİ (m3/h)	360	468	576	684	792	900
SES SEVİYESİ (dBa)	25	30	35	40	45	45
BASINÇ KAYBI (Pa)	10	17	26	37	49	63

MODEL 600 HORIZONTAL SHOT

DEBİ (m3/h)	450	612	774	936	1100	1300
SES SEVİYESİ (dBa)	25	30	35	40	40	45
BASINÇ KAYBI (Pa)	7	13	22	31	47	60

MODEL 600 VERTICAL SHOOT

DEBİ (m3/h)	450	612	774	936	1100	1300
SES SEVİYESİ (dBa)	25	30	35	40	40	45
BASINÇ KAYBI (Pa)	7	13	22	31	47	60